

Chi Tribune



Vol # XX Issue #10

Hotline (708) 262-8707

Oct 1995

DEANNA'S DIARY.....

It's been a long time since I wrote under this heading; perhaps, it's been too long. Only time will tell.



As most of you already know, as of this month, I am assuming the Presidency of Chi Chapter as Gloria has resigned as of the end of last month's meeting. I would like to take this opportunity to thank Gloria for all that she has done for the Chapter in what has turned out to be her brief stay as president. As Naomi before her, she will not disappear, but merely move to the rear of the room and be one of the gals again.

I have volunteered to conduct the meetings; Denise and Candace have stated that we all could equally run the Board meetings. This is how we will conduct business through the next elections.

I am not going into a story of my background, many of you already are aware of who I am and what I have done for Chi Chapter and Tri-Ess. Suffice it to say that I am experienced in this position.

In last month's newsletter, Gloria wrote of what she thought where her "Victories" and what where her "Failures". I want to go on record as fully supporting those efforts she extended over the past eighteen months and will continue to work toward those goals.

Selfless, giving individuals working together for the good of the Chapter has made Chi Chapter as infamous as its National reputation is today. I look forward to continuing my relationships with Denise, Candace, Rori, Naomi, Sally, Dee Dee, Amanda, and several other "behind the scenes" workers and contributors. Even Gloria, who promises to be around in the back of the room, making noises and being heard.

Furthermore, I want to direct all of my efforts and strengths to turn around Gloria's failures. The Couple's Group has not been a failure to me; perhaps given more verbal and physical support from the presidency will encourage more participation from the membership. There are many more success stories from this group than the few failures that we so often hear through the 'grapevine'. We have a core of dedicated people who attend each month. They are family people dedicated to preserving their relationships by

(Continued on page 8)

This Month At Chi-Chapter

Halloween Party.....

The Annual Chi-Chapter Halloween Party will be held on October 21st, at the Holiday Inn Express. Meeting starts around 8:15

!! In Our Regular Elmhurst Room !!

Wear your best costume.

The room will open at 5:00 pm and there will be a changing area available but bring your own towels, etc.

Reservations for a room can be made at (708) 279-0700. Please mention Chi-Chapter

A newcomers meeting will be held in the adjoining room at

Coming Up At Chi-Chapter

November: Fashion Show
December: "Puttin on the Ritz"
January: Spot Reducing Exercises

Inside the Tribune

Editor's Corner.....	Page 2
'Dunes Map'	Page 3
'It's Time Illinois'.....	Page 4
Advertiser Info Sunny.....	Page 6
Letters Yeah, 'she's back.....	Page 5
Happenings.....	Page 6

NEW HOTLINE PHONE #





EDITOR'S CORNER



Why?

I was asked why I came endrab to the last meeting. If you really want to know, here's the scoop. there were 72 people present and I didn't have to wait in line for the womans washroom....Hee Hee.....Actually, I wasn't the only one, Bill (Kiki) showed up also.

Information....!!

I want to apologize to the members who got lost at the Sept meeting. I had no idea we would be in a different room so I couldn't pass the word here. Hopefully, this information vacuum **won't happen again**. To those who complained, and or left without attending the meeting, please be assured this **won't happen again**... One of our purposes is to provide a meeting place which is acceptable to all. One of the reasons for using the Holiday Inn is the private parking area and patio entrance for those who do not wish to travel thru the hotel lobby. The Sept 30th board meeting saw a resolution that no future changes be made without prior notice of the membership.

TV's on TV.....Again

The past few weeks have been good towards us in the realm of TV talk shows....No, Geraldo didn't get run over by a Panzer Tank.

First, 'LEEZA' had several California couples including Dr. Peggy Rudd on the show. Dr. Rudd made sure, prior to taping, that the show would not exploit any of the guests.

The New 'DANNY' show was on with "Married Crossdressers and the Wives that Love them", right after 'LEEZA' and Danny Bonaduche put on a class act. His producer had previously contacted the National Tri-Ess office for couples to appear as guests and I ultimatly received a call from Frances Fairfax.looking for

people in the Chicago area.. Unfortunately, remembering past problems with talk shows, we could not get any takers.However, the show did turn out to be highly informative... and, being a Danny fan, I think did an excellent job.

Who's Ru Paul??

Some person named Ru Paul has a new book out entitled *Letting It All Hang Out*. Look for it on your book shelves and look for Ru Paul on the Internet, she's out there surfing someplace.Her address: <<http://www.cyberdyne.com/~tprebble/rupaul/index.html>>

Aunt Babs

I hope you are not still looking for Aunt Bab's column in last months issue. Seems like the old crone wrote it in disappearing ink.....Well I tracked her down and had her use my pen this time.....

Robins....Birds?

A new remake of LaCage Aux Follex is due on the scene shortly, *Birds of a Feather* will star Robin Williams.

Hardy Boys????

This from Angela Gardner in the current issue of *Cross-Talk* magazine. A new series of The Hardy Boys/Nancy Drew Mysterys is due out. Seems like there is some crossdressing incorporated into the show, and it will run on the Disney Channel. (I always wondered about those gloves Mickey wears... I think they belong to Minnie.).

Hardly Boys.....

Another rumor floating around...and borrowed from Kym Richards ..The Kids In The Hall may very well be getting ready for a feature length movie. More to follow.

The Chi Tribune

Editor:
Denise Peters

Printer:
Regal Press - Schaumburg

The Chi Tribune newsletter is published monthly by Chi Chapter TRI-ESS. Please send all news, information,contributions, comments and suggestions to:

Denise Peters
PO Box 133
Park Ridge, IL 60068-0133
OR

Upload your article-etc. to:
LIFETIME BBS
The OFFICIAL Chi-Chapter BBS
(708) 438-1901

OR
AOL-DenisePete
CIS-71321,2131
DenisePete@aol.com

Upload can be in any popular word processing format or ASCII text file.
Typed, faxed articles accepted with prior arraignment.

Layout Software: Microsoft Publisher 3.0

NEW HOTLINE NUMBER !

With the ever changing Chicago area getting larger and larger, Ameritec has announced it will be adding four new area codes in the 708 - 815 - and 312 areas.

As a precursor to this eventual change in January, we have made arraignment to change the present hotline telephone number. EFFECTIVE immediately, the new HOTLINE number is (708) 262-8707, you may use the old number until December 1

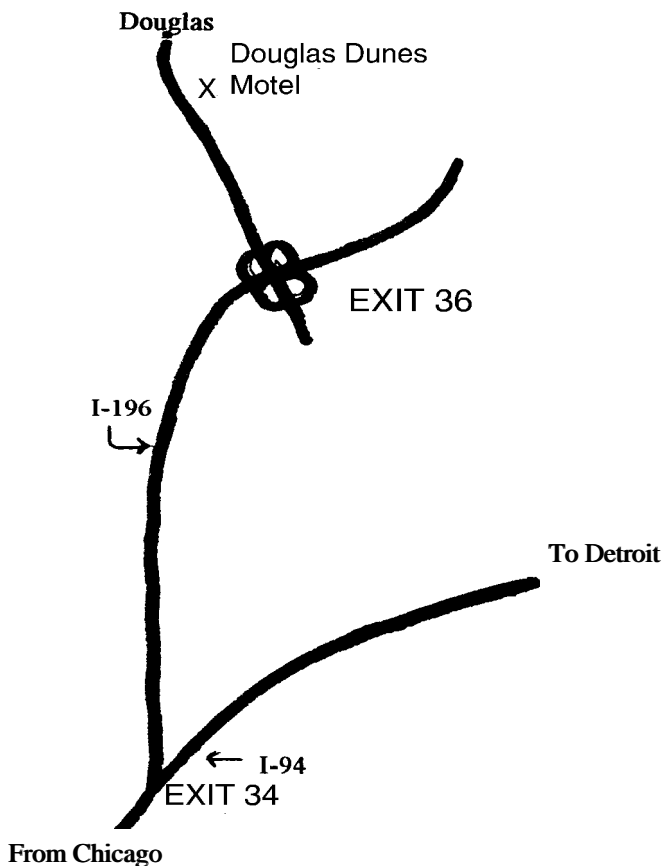
On January 15, 1996, the area code for the hotline number will change to 773

Douglas Dunes Weekend

The annual Douglas Dunes, Michigan Get-A-Way will be held Oct 20-22nd.

Instructions for driving to the Dunes are simple. Take I-94 or I-90 out of Chicago, thru Indiana to Michigan. Get off I-94 at exit #34 (I-196), go North to exit #36. Turn left at this exit and you will find the Douglas Dunes Motel on your right in less than a mile.

For reservations, call the Dunes at (616) 857-1401, tell them you are registering for the CGS weekend. Just \$100.00, many meals included.



**Deadline for Nov Issue
October 29th**

September Meeting

The September meeting was highlighted by a wonderful program directed by Rori with the assistance of Gloria. They brought together a panel of four wives/partners to field a rampage of questions from the membership. Thanks to all involved, especially to partners who opened their hearts and privacy to all present. Those attending this wonderful meeting were: Deanna, Naomi & Rachel, Gloria & Debra, Carol G, Kiki, Carole A, Julie S, Ruby & Ann, Sheila, Barbara Lee, Barbara D, Pamela M, Rose, Jackie V, Jamie P, Athena, Amanda with daughter Debbie, Christine K, Bridgit, Lee, Denise, Dee, Allanah, Jackie & Sandi, Vickie, Sunny, Norma & Joyce with friend Donna, Karen C, Miranda, Toni M, Dana & Rosalie, Paula, Claudia & Sandy, Barbara C, Lois, Alicia, Laura, Sandy, Judy, Vanessa, Stacey & Karen, Bobbie, Samantha, Tanya, Lorraine, Rhonda, Lynn, Rae, Diane M, Bobbie L, Molly, Leslie, Melissa, Sandra, Anita, Dawn & Lucy, Alicia M, Jamie M, Rori, Sally, Velma, and Fay Bass.

TREASURER'S REPORT

INCOME

MEETING FEES	\$520.00
REG MEMB DUES	40.00
NATIONAL DUES	105.00
ADVERTISING	36.00
TOTAL	\$701.00

EXPENSES

MEETING ROOM	\$1083.62
FLOWERS	25.00
SUPPLIES	8.50
ROOM ADVANCE	200.00
SUB-TOTAL	\$1317.12

NET INCOME/EXPENSE - \$616.12

As the numbers from above indicate, last months meeting was a tremendous loss to the chapter; poor planning and unexpected expenses resulted in a dramatic dip into our resources. It is for this reason that I advocate that all functions be self-supporting. I believe that we need to readdress meeting fees and our move to the Holiday Inn Express. If we continue to meet here, we must increase our monthly fee and begin to charge those attending for the first time. I welcome your comments.

Deanna

It's Time to Stand Up for Your Rights!

by Miranda Stevens

The organizational meeting of It's Time, Illinois (ITI) was held on 8/26/95. Two questions immediately come to mind: what is she talking about and why should I care?

What is It's Time, Illinois? ITI is a political action group whose goal is to work for transgender rights. We are one of a growing number of chapters of the national organization, It's Time, America (ITA). The mission of ITA is "to educate and influence the Congress, State and Local Governments, and other transgender and non-transgender political organizations, using direct action where necessary to safeguard and to advance the rights of transgendered people." It's Time, Illinois supports the national mission, but maintains a more local focus.

At the first meeting, a small group of us met to discuss the goals, operating procedures, elect officers, and set up the working committees. There were only 9 of us at the meeting, all members of Tri-Ess and/or CGS, but I think we accomplished a great deal. Stephanie Young was elected Chairperson and Janice Galeckas chosen Secretary/Treasurer. There will be a quarterly Newsletter. Working committees were established including Documentation, Legislation, Lobbying, Media, Letter Writing, and Fundraising.

Why Should I Care? ITA is an independent political action group, not affiliated with any other transgender organizations including Tri-Ess. You are probably thinking that Tri-Ess is a nonpolitical group, and besides that I don't need any protection under the law to dress in the privacy of my home and come out once or a couple times a month to meet with friends or go shopping. Wrong!

Regarding the first point, Tri Ess is indeed a nonpolitical organization. But according to the Cross-Talk Newswire (Vol.70, p.10, 8/95), a resolution was approved by the Tri-Ess Board of Directors at their June meeting stating their opposition to discrimination in the workplace and support of firm punishment for those convicted of hate crimes based on bigotry, racism and bias. That is a political statement it I ever heard one, and the issues which It's Time, Illinois! will address get right to the heart of the Tri-Ess resolution.

Regarding the second point, you do need protection! Tri-Ess provides a safe haven for cross-dressing, but there is always the possibility of discovery under other circumstances (driving to meetings, recognition in a shopping mall, etc.). There are instances where discovery led to firing or being passed over for a deserved promotion. There was even a documented case where a transgendered person was denied proper medical attention and subsequently died following a fire in her home as the fire fighters laughed at her predicament. I could go on, but I think you get the point. We have a lot to lose by being inactive!

The primary issue which has everyone up in arms is the Employment Non-Discrimination Act of 1994. The drafters of this bill, which seeks protection for gays, lesbians and bisexuals, have continued to exclude transgenders from the sought after

rights. Even before the organization of ITI, some of its charter members distributed leaflets at a black-tie fundraising event for the Human Rights Campaign Fund, the group responsible for drafting the bill and excluding transgenders from its scope. ITI will continue its effort to get us included in this bill.

In order for our legislators to support our rights, they have to know we exist and that we are part of their constituency. As heterosexual crossdressers, we represent the majority of the transgendered population. Historically, we have been the most reluctant of that population to stand up for our rights. As a result, we are an invisible part of society. It is important, as ITT and other transgender political groups become more active, that our segment of the community gets equal representation!

What can we do? Obviously with 6 committees and only a handful of charter members, we have our work cut out for us. We need help. You don't have to be "out" to help with this effort. There are a lot of behind the scene activities which are necessary, including letter writing and documentation. Contact the officers, or any of your Tri-Ess sisters who are also members of ITI (including myself, Carol R., Sunny, Toni M., Carole A.). But even if you can't do anything right now, your moral support is most welcome. Tell us what you think about this effort.

HEADLINERS

Ask for Judy

A FULL SERVICE SALON

Make overs / Waxing

Nails / Tanning

Hair/Wig Styling

8151 WEST HIGGINS

CHICAGO, ILLINOIS 60631

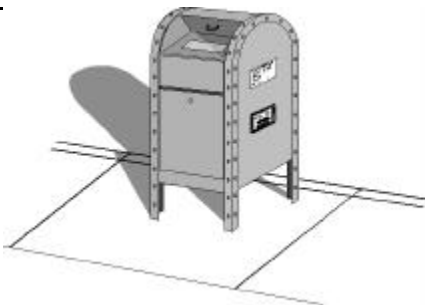
(312) 380-9404

Raj Potdar A.I.A.
President

Rose Dynamics
Architects/Interior Designers
Residential - Commercial

Phone: (708) 438-7163

LETTERS



An Open Letter to Members of CGS and Tri-Chapter from the Fashion Exchange.

While we were away from "The Fashion Exchange", one of your members came into the shop and was treated rudely and insulted by the person whom was minding the store in our absence. As many of you who have frequented our shop know, The Fashion Exchange is an active supporter of you and your organizations, and to our knowledge, any member who has been a client of the Fashion Exchange has been treated with respect.

To the individual who was treated badly, please accept our appologies, this is not the way we treat our clients. We at the Fashion Exchange will continue to support you and your organization and hope you will continue to support The Fashion Exchange.

Thank You for your time,
Mary and Mary Anne

Verna's Venus

"Foundations to Build a Better You."

Lingerie - Cosmetics
Underthings - Hosiery
Dancewear

3648 W. Fullerton
Chicago, IL
(312) 772-2192

Monday thru Friday 8am to 6pm
Saturday 8 am to 3 pm
Sunday 10 am to 3 pm
or by appointment

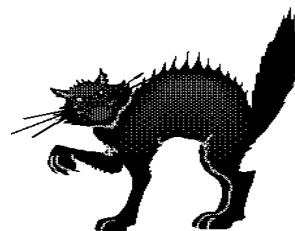
Jane Ellen Fairfax
Chair, Board of Directors
The Society for the Second Self, Inc.
8880 Bellaire B2, Suite 104
Houston, Texas 77036

PRESS RELEASE

September 15, 1995

The Society for the Second Self (Tri-Ess) announces with deep regret the resignation of Linda Peacock from its Board of Directors, where she served as Director of the Department of Spouses' and Partners' Support and its Spouses' and Partners' International Conference for Education (SPICE). Linda was also the publisher of the quarterly newsletter for spouses and partners, the Sweetheart Connection. Linda assumed responsibility for the newsletter and SPICE under adverse circumstances in January 1993, and brought them both to their present high level of success. Well known throughout the transgender community, Linda also serves on the Board of Directors of IFGE, where she is now in her second term. Earlier this year she received IFGE's coveted Trinity Award for her outstanding service to the transgendered community. She has also been twice awarded Tri-Ess's highest honor, the Leader-Servant Award.

Assuming her leadership role is Dr. Peggy Rudd. Peggy is the well-known author of *My Husband Wears My Clothes*, *Crossdressing With Dignity*, *Love Calendar* and, just released this year, *Crossdressers And Those Who Share Their Lives*. Peggy has counselled with hundreds of crossdressers, spouses and family members since publication of her first book. A popular presenter at SPICE and other conventions, Peggy's message to wives and crossdressers alike has been one of mutual love and acceptance. Organizing, the popular Dignity Cruises, Peggy has demonstrated to the public that transgendered people are truly First Class. For her many contributions to the transgendered community, Peggy received an IFGE Trinity Award in 1993, and was the 1994 recipient of the Tri-Ess Leader Servant Award. Peggy brings to her Department and to SPICE superb administrative gifts and a wise and loving, heart. With the complete support of the SPICE Planning Board, she pledges continuity of services to the spouses and partners of the transgendered community as they work together on SPICE 1996.



October

H

Oct 10 CGS Meeting Stardust Room
 Oct 14 Gemini Gender Group Brookfield, WI

A

Oct 14 Open House- Rachel's Wigs (312) 528-6960
 Oct 15-22 Fantasia Fair Provincetown, MD
 Oct 21 Chi-Chapter Meeting Holiday Inn Express
 Oct 19-22 Douglas Dunes Weekend Michigan
 Oct 26-29 Fall Harvset St. Louis, MO

P

Oct 26 NW Indiana Gender Group See Below
 Oct 28 Fem Underground Halloween Party Transformations

November

P

Nov 4 1995 Miss CGS Pageant ??????????
 Nov 7 CGS Meeting Stardust
 Nov 11 Gemini Gender Group Brookfield, WI
 Nov 15-19 Holiday En-Femme Calgary, AB, Canada
 Nov 18 Chi-Chapter Meeting Holiday Inn Express

E

December

Dec 8 CGS Christmas Dinner (708) 863-7714
 Dec 12 CGS Meeting
 Dec 16 "Puttin on the Ritz" Ramada Inn Rosemont

N

I

N

LOCATIONS

MEETING HALLS

G

HOLIDAY INN Express
 933 S. Rt 83
 Elmhurst,
 (708) 279-0700

S

STARDUST BANQUET HALL
 5688 N. Milwaukee Av
 Chicago, IL

Advertising Notes by Sunny

On Saturday, October 14th, Fay R. Bass of Mary Kay Cosmetics and Velma & Rachel's Wig and Hair Care at 1833 W. Irving Park Rd., Chicago will be having an open house from 1-5 PM. Featured will be Mary Kay makeovers and products, wigs, clothes, and fashion accessories. Afterwards, Rori has an outing to the play "Vampire Lesbians of Sodom" at 1225 W. Belmont in Chicago. Show time is 7:45 and tickets are \$20.00 each, call Rori at (708)383-8338 for a reservation. Rori is also promoting "Fem Fatal" on Thursday October 19th, 1995, at "The Hop" lounge located in the Holiday Inn at 5440 River Road, Rosemont, IL. Hotel phone (708)671-6350

* * *

The Fashion Exchange at 201 St. Charles Road in Villa Park will reschedule its' October 22nd "Open House" to a later date due to the large number of events the preceding week. Mary and Mary-Anne welcome you girls to come in during regular hours to checkout their fall fashions.

Save the date! Save the date!

Chi Chapter's
PUTTIN' ON THE RITZ
 to be held on Saturday Evening,
 December 16, 1995 at the Ramada Hotel O'Hare

Dr. Sandra Cole to be honored

In 1985 CHI Chapter created a special award to be presented annually to someone not necessarily a member of the chapter for their special guidance, support of encouragement. This is the award that highlights and keynotes our annual awards banquet and Christmas party and this year we have selected Dr. Sandra Cole to be our guest of honor.

Past recipients of the award include Phyllis Levy, Prof Alan Lanning, Mariette Pathy Allen, Barbara McCoy Getz Judy Simmons and our own Rachel The Chi Chapter Wives and partners as a group, Dr. Peggy Rudd, Jan Sandretti, Rori Petros and our own Sally.

This year's recipient, Dr. Sandra Cole, is a Professor at the University of Michigan Medical School and is Acting Co-ordinator of it, Comprehensive Gender Services Program. She is a sexologist and is an AASECT (American Association of Sex Educators, Counselors and Therapist) certified Sex Educator and Counselor. Dr. Cole serves on the AASECT Board and served as its president from 1989 to 1994. She is also an elected Fellow of the Society for the Scientific Study of Sex. For the past 25 years she has taught sex education to medical students and is noted for her pioneering work in sexual concerns in Rehabilitative Medicine, working with people with disabilities.

For more than 12 years Dr. Cole has been assisting the gender community specializing in topics of health, intimacy and relationships. She has worked with all members of the community including wives and partners. She has also been a consultant, participant, colleague, discussion leader and friend to most of the national and regional gender conferences including our own BE ALL Weekend.

Recently she visited Chi Chapter at our August 1995 meeting. As a special treat Dr. Cole has agreed to lead a discussion program on the topics of romance, intimacy and communications at PUTTIN' ON THE RITZ. The seminar will be open at no extra cost to all Chi Chapter members and their partners during the afternoon of December 16, 1995. The seminar will be held at the Ramada so plan to check-in early and spend the day with us. More details will be announced in the next newsletter.

Chi Chapter has combined our annual awards banquet and Christmas Party with PUTTINI ON THE RITZ to make a really special holiday party. By tradition it attracts many couples. And, it is an opportunity to welcome our many friends.



PUTTING ON THE RITZ stands for the idea that being elegant and beautiful makes one feel good and that "dressing up" is fun. After Dr. Cole's seminar in the afternoon we will have a hospitality room and we will have our usual friends such as Velma, Rachel, Rori, Sally, and Fay there to help us achieve that very special look. In addition, David will be there to take your portrait. Further details, including how to make hotel reservations will be in the next newsletter..

So, this holiday season find something really "dressy" to wear and join us for music, dancing and fun at PUTTIN' ON THE RITZ!

(Deanna's Diary)(Continued from page 1)

working together in this discussion group. Those of you interested in bettering your communication skills in your marriage are encouraged to come and give us a try.

Cooperation between the groups. I don't understand where she is coming with this; Chi Chapter has always cooperated with CGS, even prior to Gloria's association with either one of the groups. I think I would know this better than most of you, because I go back to 1978/79 when Sharon Hess was my confidant and helped me take Chi Chapter out of the "closet" of the motel room and into the old "Lite Factory". I was there when Sharon first made contact with the Pacific Coast GGA and developed her association with them. I was around when the very first GGA "Spring Fling" got off the ground. (Remember those good ol' days, Karen!) GGA offered an opportunity to crossdressers that Tri-Ess did not offer in those days, that of going out in public en masse. Tri-Ess only met in homes or motel rooms, not gay bars or restaurants.

Where there people in either group that didn't get along with each other? I guess so, but does that mean that the groups themselves didn't get along? I don't think so. Since the days of Cain and Abel, there has been jealousy between individuals, but only the uninformed will say that there has been animosity between the groups for all these years.

Is the chapter at a crossroads? Only time will tell. I cannot predict the future. Yes, we will make the decision as a group as to which way we go. Fortunately, it will be as a group and not by an individual that will finally come to that decision.

Gloria, you have laid out a challenge and I believe the chapter is up to it. But if anyone intends to be an obstacle in the road to our success, they will end up a loser. A loser whose only accomplishment is the intentional destruction of what many people have worked hard to achieve. A loser in the cause of uniting the community - the Coming Together - Working Together Sisterhood that Merissa Sheryl Lynn began nearly eight years ago.

The airwaves are abundant with rumors and innuendo of the destiny of the chapter. Rumors perpetrated by others not 'in the know' of Tri-Ess. Let me say this about scare tactics; they're only useful at building up ones deflated ego by degrading the accomplishments of others to make the rumor mongers' petty accomplishments look greater than what they actually are.

And now a final few words about where I will be going with the Chapter and how I will operate as President.

Firstly, let me reiterate my position of Tri-Ess policy in relationship to Chi Chapter. I fully support these policies and will steadfastly stand side by side with National on our goals and objectives. Chi Chapter has been a leader in the organization for twenty years, we may have "handed off the baton" to younger and

more progressive chapters, but we were the trailblazers long before the cagers arrived in Portland! I will continue to seek innovative ideas and programs at our meetings. And I will continue the tradition begun by me in 1980 when on one warm July evening I conducted a chapter meeting from the lounge of the Lite Factory on Southport Avenue in Chicago.

Last month, for those of you who did not attend the meeting, our meeting location was moved from our usual location on the southeast end of the Holiday Inn Express to the banquet room downstairs. For some members, this was a terrifying move; so terrifying that rather than walk dressed through the hall, past other hotel guest, they left and did not attend the meeting. This is intolerable; we cannot put individuals in that position again. We must provide a meeting location that makes all members feel comfortable, as comfortable as dressing at home.

But some of you are laughing at this and snickering at others phobias of being "read" or worse yet, criticizing "regular" people for their homophobic reactions to our crossdressing. To you I need to reeducate you of the main reason that Chi Chapter and Tri-Ess exists: we do not hold meetings for you, we hold meetings for those who do not have the confidence to go in the public and make spectacles of themselves. We provide a meeting room so crossdressers can meet in a safe atmosphere, free of ridicule and shame. If you don't get, this, than get your butts out. We need supportive members; members willing to support others who lack the confidence of the strong.

Not all of us have the savoir faire of a RuPaul or a Chili Pepper. For some of our members, this is the only time they get to express their Second Self. Tri-Ess exists for their needs. So, if you are looking for exhibitionism, stepping on the cutting edge, or just sensationalism, please look somewhere else. I want the chapter to blend into society, not stick out. I want us to be a weed in a flowing green lawn, not a dandelion in that lawn, obvious to all who look out over the field.

I expect to have a program at every meeting and I fully support outside activities as options for the members. I expect all functions to be self supporting, with the participants paying the full costs, not laying a burden on the chapter. I want all members to feel free to invite their wives and/or partners to attend a meeting and encourage them to start bring them to meetings.

To summarize, I fully support our wives/partners and encourage their participation; I believe that the meetings are meant for the new, emerging crossdresser, as a place to socialize and grow.

(Continued on page 9)

(Deanna's Diary)(Continued from page8)

Oh, by the way, this is the only time that I get wordy; my meetings are short and to the point. If you have announcements to make, lets put them in the Newsletter and on the bulletin board, both electronic and flip chart in the room. See you all next month. Don't forget to wear your costume.

Deanna

Ask Aunt Babs

By Babs C. Babushka



DEAR AUNTIE BABS:

I am flat chested and need augmentation. Those silicone - breast forms are too expensive, and the rolled up socks I have used since I was thirteen are sort of lumpy and very smelly by now. What can i do?

FLAT IN FLATBUSH

DEAR FLATTIE:

What you must do is become elderly! Do this right away. A surprising number of us develop our own breasts when we become aged. A dear dear T-friend of mine has had success with this approach and now wears no padding at all! Of course now she is as old as the hills, but she says it's Worth it. While you are waiting, for this growth, try using-, birdseed tied up in nylon. This gives a most realistic appearance. A prominent friend of mine uses this method most attractively. She is careful to position the two knots in just the right locations in her Brassiere. Be sure to get the same amount of birdseed on each side - symmetry you know. A peril to this approach is entering a room containing a pet bird. A loudly excited canary or parakeet trying to get at you will make people wonder about you, making passing more difficult. I have felt that being inconspicuous is the aim, in the passing game. (Many disagree with me, or just don't care.) My friend, wearing her birdseed for several humid June days, grew birdseed sprouts. Vines climbing out of one's collar are quite attractive, but the color scheme must be changed to match.(I do like chlorophyll as a color though.) Stop using those rolled up socks, they are so juvenile!

AUNTIE BABS

20% off
with this ad



(708)
530-0201

The Fashion eXchange

Mary Bodan 201 W. St. Charles Rd
Mary Anne McNulty Villa Park

The best of New and Gently used
Woman's Apparel and Accessories
Sizes 4-24 Discount Prices
Brand Name Evening and Causal Wear
New Jewelry and Accessories
Beauty Consultants By Appointment

Hours

Tues., Wed., Fri. 11-5
Thursday 11-7
Saturday 11-5

Monday and evening hours by appointment

If your clothes are not becoming to you, you should be coming to US!

GO LITE ON THE DRESSIN'

Presenting a special cassette album of crossdressing

Go Lite On The Dressing
Summertime
I Need A Real Live Girl
Behind Closed Doors
Oh So Beautiful
Let's Dress Up
Crossdressin' Blues

'Tis The Gift
I Wore My Ladies
Clothes Last Night
Fancy Panties
Bus Trip
I'm In A Trance Over Trans
A Girl Needs A Friend

music compsed, arranged and performed entirely by
Amanda Lynn Richards

Pop it in your Walk Lady and they'll never know why
you're smiling as you walk down the street.

Play it in your car while you drive to work and sing along.
Better yet, roll down the windows and **BLAST** it!

\$9.00 each plus \$1.00 shipping and handling
Checks or money orders only,
made out to "Amanda Lynn Richards"
Sorry, no charge cards.